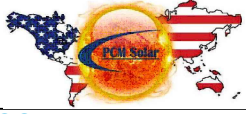
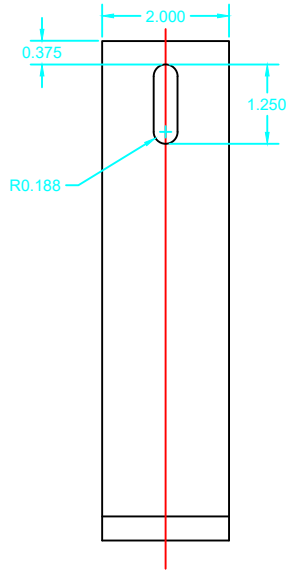
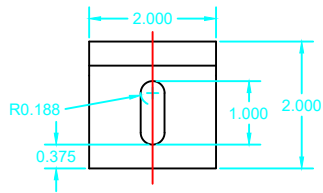


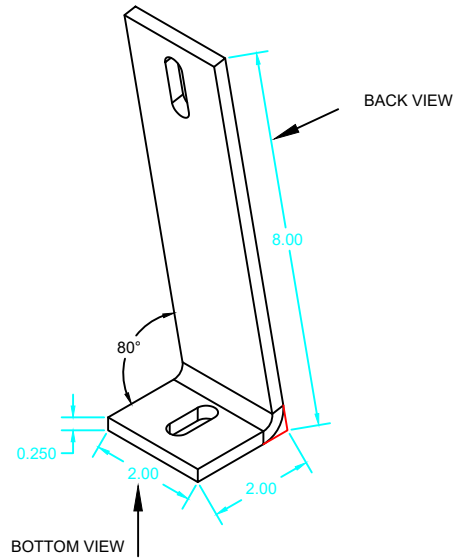
DRAWN: GMay	 <b>PCM Solar</b> 6203 80th Ave. N. Pinellas Park, Florida 33781		SHEET OF 1 OF 1
CHECKED: S. May			<b>CONFIDENTIAL:</b> THESE DRAWINGS AND SPECIFICATIONS ARE THE CONFIDENTIAL PROPERTY OF PCM SOLAR AND SHALL NOT BE REPRODUCED, COPIED, OR USED WITHOUT WRITTEN PERMISSION.
ENG. APPR.:	TOOL NO.: FBS-8-80	NAME: -10 deg. Tilt L-Foot	MADE FOR: Rail Attachment to Roof
SCALE: (3RD ANGLE) 1:1/3			
CAD FILE NAME FBS-8-80.dwg	MATERIAL DESCRIPTION 5052 Aluminum		FINISH



BACK VIEW



BOTTOM VIEW



ISOMETRIC VIEW

REVISION	Initial release. 01/17	
----------	---------------------------	--