
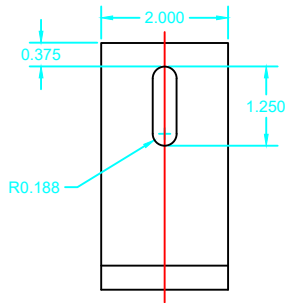
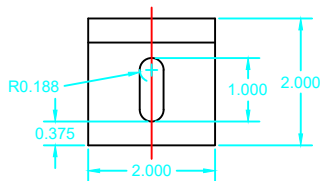


DRAWN: GMay	 <b>PCM Solar</b> 6203 80th Ave. N. Pinellas Park, Florida 33781	SHEET OF 1 OF 1
CHECKED: S. May		REVISION LEV. & DATE: REV. 1 01/01/17
ENG. APPR.:	<b>CONFIDENTIAL:</b> THESE DRAWINGS AND SPECIFICATIONS ARE THE CONFIDENTIAL PROPERTY OF PCM SOLAR AND SHALL NOT BE REPRODUCED, COPIED, OR USED WITHOUT WRITTEN PERMISSION.	TOLERANCE UNLESS OTHERWISE SPECIFIED 2 PLC. DEC.   $\pm 0.010$   ANGULAR   $\pm 1^\circ$ 3 PLC. DEC.   $\pm 0.005$   ALL DIMENSIONS ARE INCHES UNLESS OTHERWISE SPECIFIED
SCALE: (3RD ANGLE) 1:1/3	TOOL NO.: FBS-4	NAME: 90 deg. Tilt L-Foot
		MADE FOR: Rail Attachment to Roof

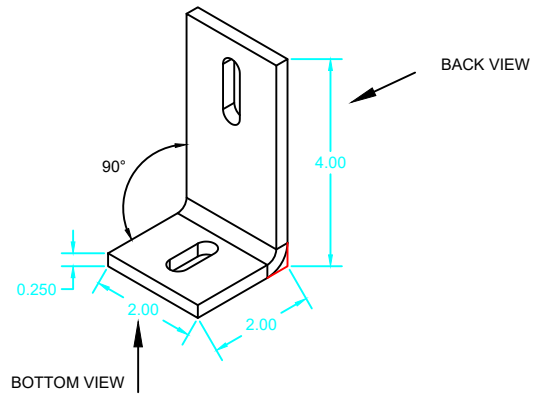
CAD FILE NAME	MATERIAL DESCRIPTION	FINISH
FBS-4.dwg	5052 Aluminum	



BACK VIEW



BOTTOM VIEW



ISOMETRIC VIEW

REVISION	Initial release. 01/17	
----------	---------------------------	--