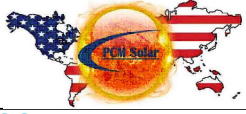
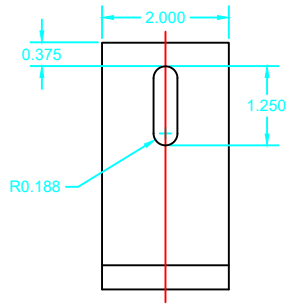
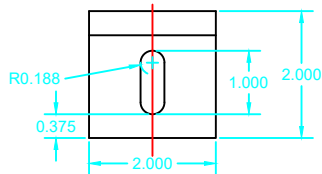


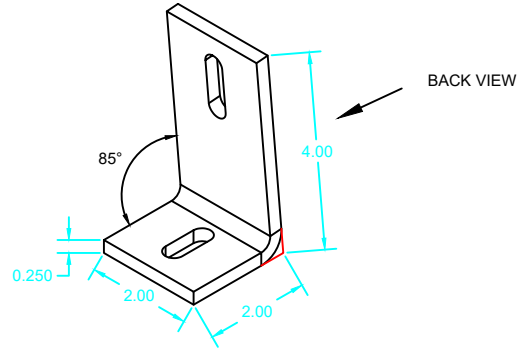
DRAWN: GMay	 <b>PCM Solar</b> 6203 80th Ave. N. Pinellas Park, Florida 33781	SHEET OF 1 OF 1
CHECKED: S. May		REVISION LEV. & DATE: REV. 1 01/01/17
ENG. APPR.:	<b>CONFIDENTIAL:</b> THESE DRAWINGS AND SPECIFICATIONS ARE THE CONFIDENTIAL PROPERTY OF PCM SOLAR AND SHALL NOT BE REPRODUCED, COPIED, OR USED WITHOUT WRITTEN PERMISSION.	TOLERANCE UNLESS OTHERWISE SPECIFIED 2 PL. DEC.   $\pm 0.010$   ANGULAR   $\pm 1^\circ$ 3 PL. DEC.   $\pm 0.005$   ALL DIMENSIONS ARE INCHES UNLESS OTHERWISE SPECIFIED
SCALE: (3RD ANGLE) 1:1/3	<b>TOOL NO.:</b> FBS-4-85	<b>NAME:</b> -5 deg. Tilt L-Foot
<b>CAD FILE NAME</b> FBS-4-85.dwg		<b>MATERIAL DESCRIPTION</b> 5052 Aluminum
		<b>FINISH</b>
<b>MADE FOR:</b> Rail Attachment to Roof		



BACK VIEW



BOTTOM VIEW



BOTTOM VIEW

ISOMETRIC VIEW

REVISION	Initial release. 01/17	
----------	---------------------------	--