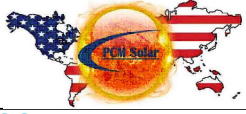
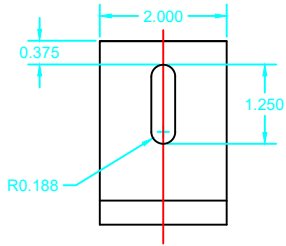
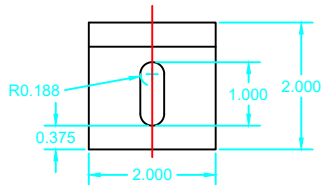


DRAWN: GMay	 PCM Solar 6203 80th Ave. N. Pinellas Park, Florida 33781	SHEET OF 1 OF 1
CHECKED: S. May		REVISION LEV. & DATE: REV. 1 01/01/17
ENG. APPR.:	CONFIDENTIAL: THESE DRAWINGS AND SPECIFICATIONS ARE THE CONFIDENTIAL PROPERTY OF PCM SOLAR AND SHALL NOT BE REPRODUCED, COPIED, OR USED WITHOUT WRITTEN PERMISSION.	TOLERANCE UNLESS OTHERWISE SPECIFIED 2 PLC. DEC. ± 0.010 ANGULAR $\pm 1^\circ$ 3 PLC. DEC. ± 0.005 ALL DIMENSIONS ARE INCHES UNLESS OTHERWISE SPECIFIED
SCALE: (3RD ANGLE) 1:1/3	TOOL NO.: FBS-3-75	NAME: -15 deg. Tilt L-Foot
		MADE FOR: Rail Attachment to Roof

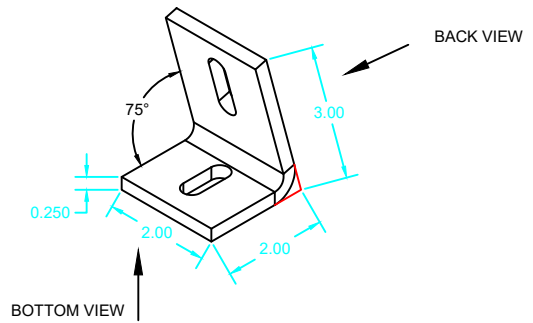
CAD FILE NAME FBS-3-75.dwg	MATERIAL DESCRIPTION 5052 Aluminum	FINISH
--------------------------------------	--	---------------



BACK VIEW



BOTTOM VIEW



ISOMETRIC VIEW

REVISION	Initial release. 01/17	
----------	---------------------------	--